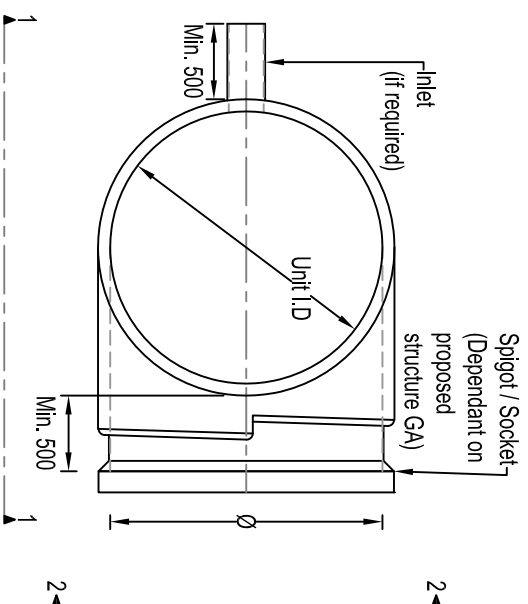
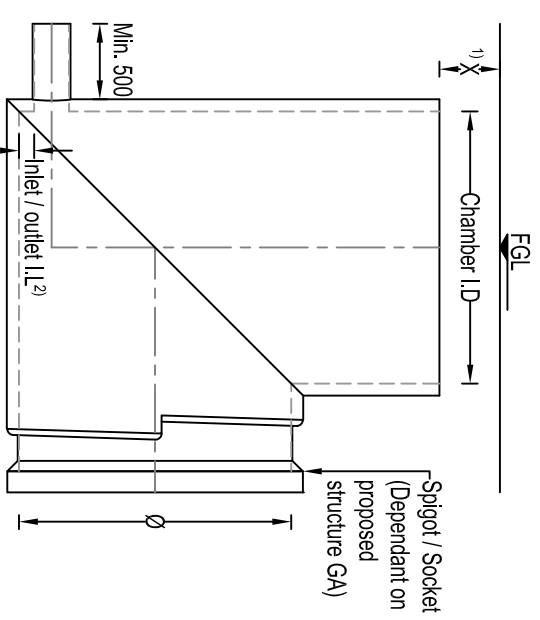


### TYPICAL 90° END TERMINATION



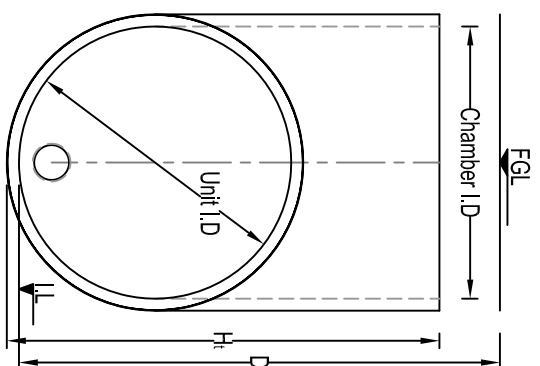
#### PLAN

Scale (1:50)



#### ELEVATION 1-1

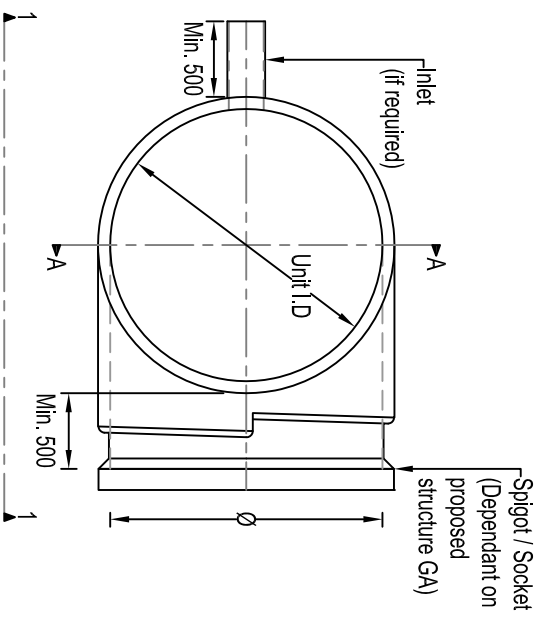
Scale (1:50)



#### ELEVATION 2-2

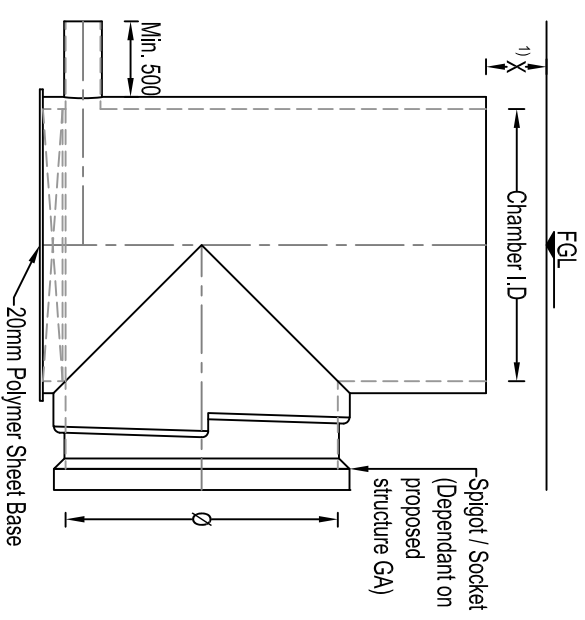
Scale (1:50)

### TYPICAL 90° END TERMINATION - LEVEL INVERT FLAT BASE



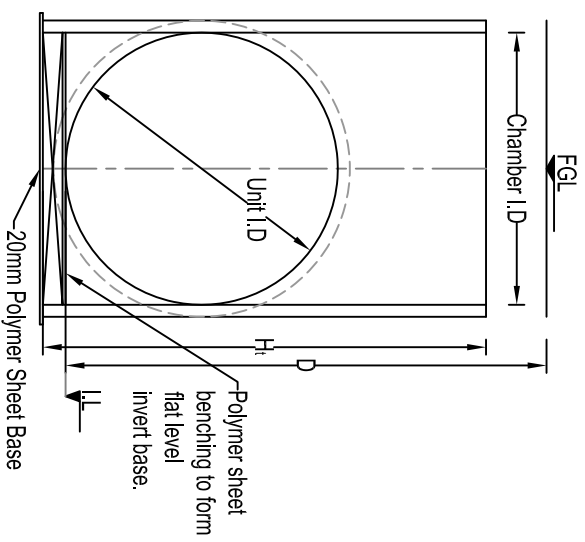
#### PLAN

Scale (1:50)



#### ELEVATION 1-1

Scale (1:50)



#### SECTION A-A

Scale (1:50)

#### RIDGISTORM-XL FABRICATION ACCESS NOTES

1. Chamber termination construction (X), is assumed to be 400mm unless otherwise specified. Allowing the chamber termination build up to be completed by others.
2. D = Depth from finished ground level to invert level of the main pipe run.  
Ht = Finished height of unit.  
Refer to Component Manhole standard detail: RST\_SD\_CM\_002 for guidance on double step rungs and GRP ladders.
3. For additional info please refer to Component Manhole standard detail: RST\_SD\_AC\_002 & 003

#### NOTES

1. All dimensions in millimetres, unless otherwise stated.
2. All dimensions are nominal and may vary within manufacturing or construction tolerances.
3. All site temporary and enabling works by others.
4. Ridgistor-XL units to be installed in accordance with Polypipe Civils recommendations (refer to Polypipe technical guidance for further information); giving due consideration to the requirements of the organisation who will be taking ultimate ownership of the installation.
5. Dimensions are based on a minimum stiffness class SN2 pipe; corresponding to the standardised pipe profiles current at the time of this drawing's issue.
6. This drawing is intended for guidance only. Confirmation of the information contained within this document should be sought from the consulting engineers before final design or construction activities commence.
7. Unless otherwise stated, all Ridgistor-XL is supplied to site without direct means of lifting incorporated. The lift supervisor must assess and plan the lift, in the circumstances of the lift, and provide slings and/or other controls as deemed necessary to ensure a safe lift.
8. Minimum and maximum cover depths applicable, dictated by the expected native ground conditions, trafficking and proposed Ridgistor-XL pipe specification.

The information in this document is of an illustrative nature and is supplied by Polypipe Civils without charge. This document does not form the whole or any part of a contract or intended contract with the user. The information within this document should not be solely relied upon to determine the suitability or installation requirements of our products for a proposed application and expected site conditions; expert advice should be sought in this respect. Final determination of the suitability of any information or material for the use contemplated and the manner of use is the sole responsibility of the user and the user must assume all risk and liability in connection therewith. Further information with regard to liabilities may be found at [www.polypipe.com/disclaimer](http://www.polypipe.com/disclaimer).



Polypipe Civils

Charmwood Business Park,  
North Road, Loughborough,  
Leicestershire, LE11 1LE

Tel: 01509 615100  
Fax: 01509 615215  
[www.polypipe.com/civils](http://www.polypipe.com/civils)  
[www.polypipe.com/wms](http://www.polypipe.com/wms)

#### RIDGISTORM-XL STANDARD DETAILS

PROJECT  
**TYPICAL 90° END TERMINATION & CATCHPIT / MANHOLE END TERMINATION**

STATUS		FOR INFORMATION	
DATE	16/03/16	DRAWN BY	JL
ORIGINAL SIZE	A3	SCALE	AS SHOWN
DRAWING NO.	RST_SD_FT_007	REV.	