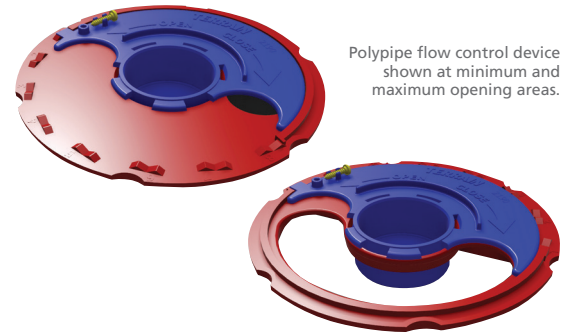


Polypipe has developed a patented rainwater flow control orifice plate to fit easily into the range of Terrain PVCu large rainwater outlets. The range includes flat, domed, vented and inverted roof outlets. The orifice plate incorporates a 50mm moulded socket in which a 50mm section of pipe can be fitted to act as a vent for the rainwater pipework system to act as an overflow. The flow control outlets are designed for use with the Permavoid rainwater attenuation systems for roofs and podiums and can be incorporated into the Terrain PVC or Terrain FUZE HDPE above ground drainage pipe work systems.

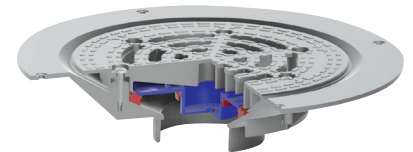


Polypipe flow control device shown at minimum and maximum opening areas.

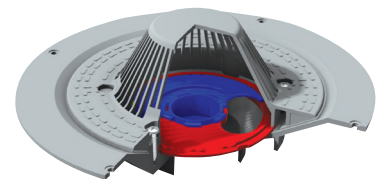
Key Benefits

- The orifice plate can be rotated within itself into one of 8 different positions, providing a different orifice cross sectional area
- Flexible design for the installations and to accommodate post installation amendments and retro-fitting into existing outlets
- The orifice plate can be fixed once rotated into position and there are integral moulded ramps preventing free rotation
- Flow tests have been carried out in accordance with BS EN1253 to establish flow rates for a given static head

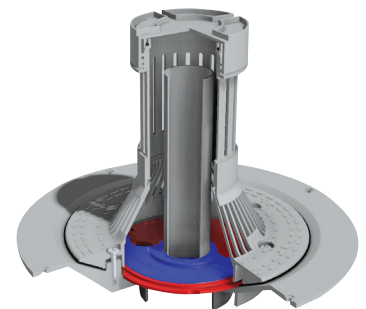
FLAT ROOF OUTLET					
CONFIGURATION	25MM DEPTH	35MM DEPTH	50MM DEPTH	100MM DEPTH	135MM DEPTH
Position 1	2.39	2.67	3.1	4.8	6.91
Position 2	2.38	2.65	2.98	4.59	6.01
Position 3	2.36	2.59	2.89	4.33	5.3
Position 4	2.3	2.48	2.69	3.85	4.65
Position 5	2.08	2.3	2.45	3.21	3.63
Position 6	1.72	1.79	1.96	2.51	2.74
Position 7	1.09	1.14	1.23	1.56	1.71
Position 8	0.45	0.48	0.54	0.65	0.71



DOMED ROOF OUTLET					
CONFIGURATION	25MM DEPTH	35MM DEPTH	50MM DEPTH	100MM DEPTH	135MM DEPTH
Position 1	2.39	2.67	3.1	4.8	6.91
Position 2	2.38	2.65	2.98	4.59	6.01
Position 3	2.36	2.59	2.89	4.33	5.3
Position 4	2.3	2.48	2.69	3.85	4.65
Position 5	2.08	2.3	2.45	3.21	3.63
Position 6	1.72	1.79	1.96	2.51	2.74
Position 7	1.09	1.14	1.23	1.56	1.71
Position 8	0.45	0.48	0.54	0.65	0.71

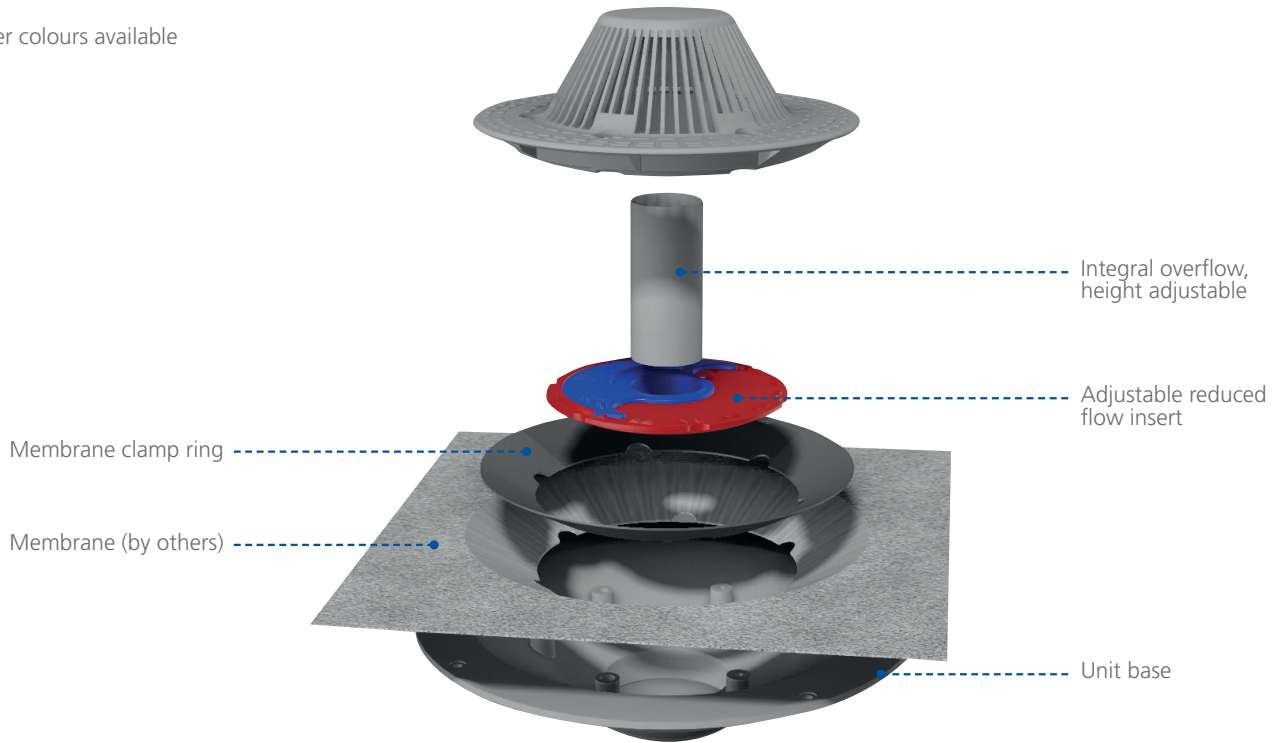


INVERTED ROOF OUTLET WITH OVERFLOW					
CONFIGURATION	25MM DEPTH	35MM DEPTH	50MM DEPTH	100MM DEPTH	135MM DEPTH
Position 1	2.39	2.74	3.06	4.33	5.55
Position 2	2.37	2.63	3.03	4.15	4.95
Position 3	2.34	2.58	2.85	3.83	4.4
Position 4	2.29	2.45	2.66	3.56	3.99
Position 5	2.11	2.29	2.39	2.95	3.3
Position 6	1.64	1.75	1.82	2.36	2.6
Position 7	1.12	1.22	1.28	1.58	1.78
Position 8	0.48	0.52	0.6	0.65	0.69





Installation explosion of the Reduced Flow Rainwater Outlet


*Other colours available




Range of Polypipe roof outlets the flow control device can be installed within

FLAT ROOF OUTLET - LARGE			
	SIZE MM	COLOUR	CODE
	To drain surface water from flat roofs Suitable for most roof finishes		
	82	GREY	2170.3
	110	GREY	2170.4

DOMED ROOF OUTLET - LARGE			
	SIZE MM	COLOUR	CODE
	To drain surface water from flat roofs Suitable for most roof finishes		
	82	GREY	2171.3
	110	GREY	2171.4

VENT PIPE OUTLET SOCKET			
	SIZE MM	COLOUR	CODE
	Special vented type for combined systems Suitable for most roof finishes		
	110	GREY	2171.44

INVERTED ROOF OUTLET			
	SIZE MM	COLOUR	CODE
	To allow for drainage from two levels as required with inverted roof construction		
	110	GREY	2171.4A

Further information will be available within our upcoming technical manual and will also appear on our website shortly. For further information please contact us about our Technical Workshops on how Permavoid can help you with your rainwater management needs for roof, podium or sub base applications.

Technical Support

Detailed guidance and assistance is available. For further information, please contact our Technical Team on **+44 (0)1509 615 100** or email: civils@polypipe.com or visit www.polypipe.com/civils-technical-hub

Reduced Flow Rainwater Outlet can be utilised in these SuDS techniques

TECHNIQUES													
Blue-Green roofs	Podium Decks	Trees	Sports Pitches	Cycle Paths	Permeable Paving (sub base & podium)	Bioretention & Rain Gardens	Attenuation Storage Tanks	Infiltration	Swales	Filter Drains	Detention Basins	Ponds & Wetlands	Filter Strips
✓	✓												

Visit www.polypipe.com/greeninfrastructure

All descriptions and illustrations in this publication are intended for guidance only and shall not constitute a 'sale by description'. All dimensions and weights given are nominal and Polypipe may modify and change the information, products and specifications from time to time for a variety of reasons, without prior notice. The information in this publication is provided 'as is' on July 2018. Updates will not be issued automatically. This information is not intended to have any legal effect, whether by way of advice, representation or warranty (express or implied). We accept no liability whatsoever (to the extent permitted by law) if you place any reliance on this publication you must do so at your own risk. All rights reserved. Copyright in this publication belongs to Polypipe and all such copyright may not be used, sold, copied or reproduced in whole or part in any manner in any media to any person without prior consent. © Polypipe is a registered trademark of Polypipe. All Polypipe products are protected by Design Right under CDPA 1988. Copyright © 2018 Polypipe. All rights reserved.