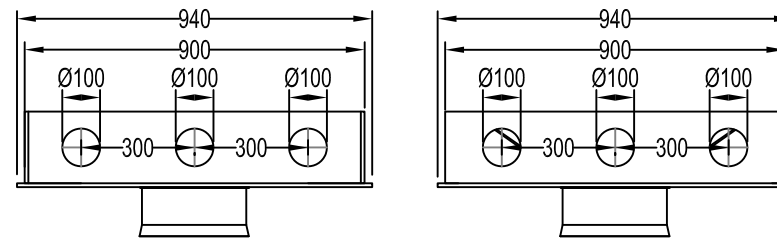
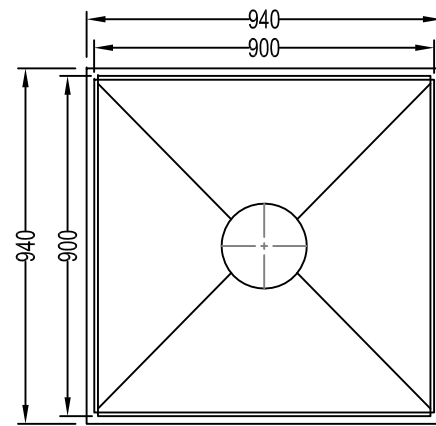


RIDGICHUTE

JRD*****T/1
(Ø400mm/Ø600mm
to
Ø225mm/Ø300mm
T-Junction)
See Table 2.



RIDGICHUTE DETAILS

TABLE 1.

TOLERANCE		
ONE CORRUGATION		
± 225	34	mm
± 300	40	mm

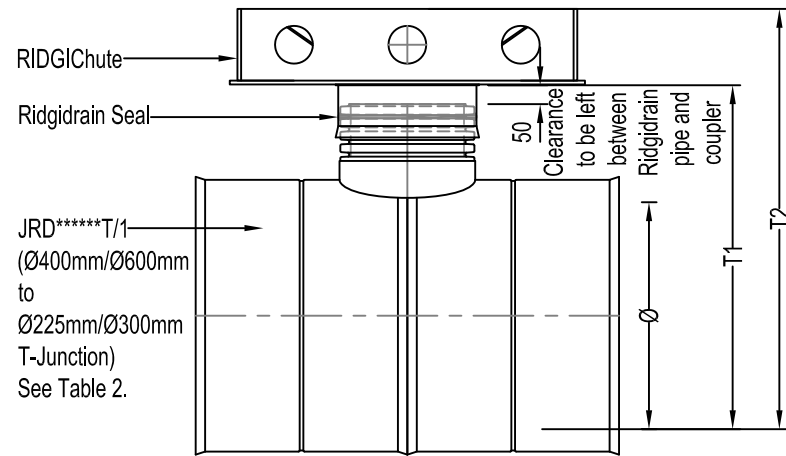
TABLE 2.

	DIMENSIONS				CODE	
	X1	X2 min	Ø	Z	Ø225	Ø300
Ø225	332	185	-	-	mm	-
Ø300	340	200	-	-	mm	-
Ø400	-	-	400	435	mm	JRD400225T/1 JRD400300T/1
Ø450	-	-	450	495	mm	JRD450225T/1 JRD450300T/1
Ø500	-	-	500	545	mm	JRD500225T/1 JRD500300T/1
Ø600	-	-	600	660	mm	JRD600225T/1 JRD600300T/1

TABLE 3.

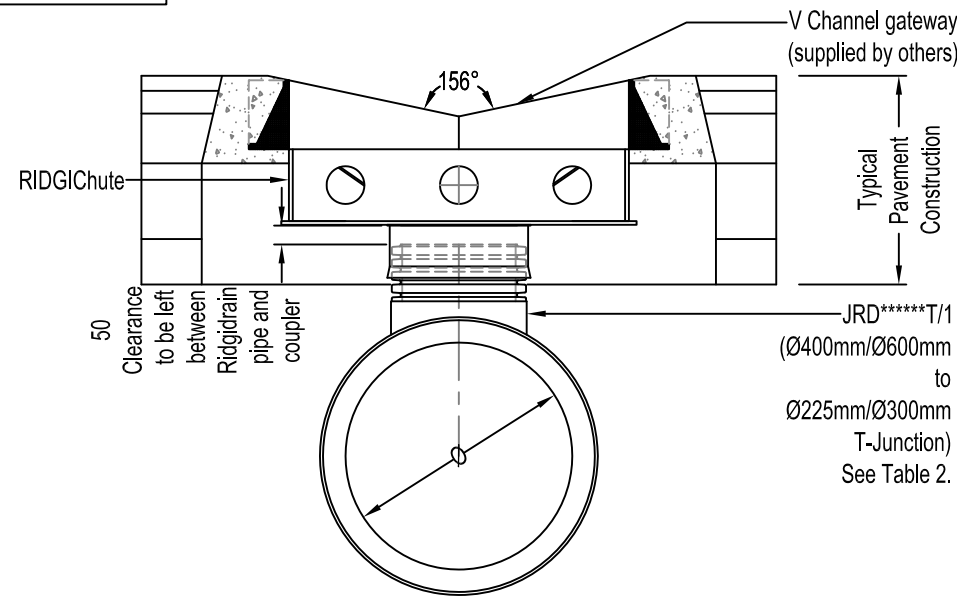
	DIMENSIONS					
	Ø	T1		T2		
		Ø225	Ø300	Ø225	Ø300	mm
Ø400	400	620	635	822	837	mm
Ø450	450	680	695	882	897	mm
Ø500	500	730	745	932	947	mm
Ø600	600	845	860	1047	1062	mm

NOTE:
The RIDGICHUTE must be surrounded 150mm and filled with ST4 concrete



RIDGICHUTE - INSTALLATION

JRD*****T/1
(Ø400mm/Ø600mm
to
Ø225mm/Ø300mm
T-Junction)
See Table 2.



RIDGICHUTE - PAVEMENT MAKE-UP SHOWN

DRAWING NOTES

1. Drawings should not be scaled, refer to figured dimensions only.
2. All dimensions in millimetres, unless otherwise stated.
3. All dimensions are nominal and may vary within manufacturing or construction tolerances.
4. All site temporary and enabling works by others.
5. This drawing is intended for guidance only. Confirmation of the information contained within this document should be sought from the consulting engineers before final design or construction activities commence.

REV	AMENDMENT	DATE
-----	-----------	------

The information in this document is of an illustrative nature and is supplied by Polypipe Civils without charge. This document does not form the whole or any part of a contract or intended contract with the user. The information within this document should not be solely relied upon to determine the suitability or installation requirements of our products for a proposed application and expected site conditions; expert advice should be sought in this respect. Final determination of the suitability of any information or material for the use contemplated and the manner of use is the sole responsibility of the user and the user must assume all risk and liability in connection therewith. Further information with regard to liabilities may be found at www.polypipe.com/disclaimer.

Polypipe
Polypipe Civils
Charmwood Business Park
North Road, Loughborough
Leicestershire, LE11 1LE
Tel: 01509 615100
Fax: 01509 615215
www.polypipe.com/civils

PROJECT NAME	RIDGICHUTE			STATUS	
PROJECT TYPE	900mm x 900mm RIDGICHUTE (MIN INSTALLATION DEPTH)			FOR INFORMATION	
	SHEET SIZE	SHEET NO.	DRAWN BY		
	A3	1 of 2	KT		
	SCALE	DATE			
	NTS	13-08-18			
	DRAWING NO.	REV.			
	RCH_SD_002	-			

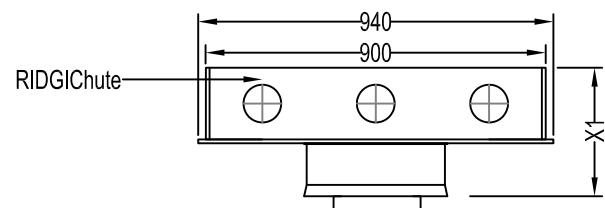


TABLE 2.

	DIMENSIONS				CODE	
	X1	X2 min	Ø	Z	Ø225	Ø300
Ø225	332	185	-	-	mm	-
Ø300	340	200	-	-	mm	-
Ø400	-	-	400	435	mm	JRD400225T/1
Ø450	-	-	450	495	mm	JRD450225T/1
Ø500	-	-	500	545	mm	JRD500225T/1
Ø600	-	-	600	660	mm	JRD600225T/1

Ridgidrain Seal

Ridgidrain Seal
Ø225mm/Ø300mm
double coupler

JRD*****T/1
(Ø400mm/Ø600mm
to
Ø225mm/Ø300mm
T-Junction)
See Table 2.

Length to be cut
on site to suit

NOTE:

The RIDGICHUTE must be
surrounded 150mm and filled with
ST4 concrete

RIDGICHUTE

Ridgidrain Seal

Ø225mm/Ø300mm
double coupler

JRD*****T/1
(Ø400mm/Ø600mm
to
Ø225mm/Ø300mm
T-Junction).
See Table 2.

50
Clearance to be left
between Ridgidrain
pipe and coupler

Maximum 3000

RIDGICHUTE - INSTALLATION - EXPLODED

RIDGICHUTE

Ridgidrain Seal

Ø225mm/Ø300mm
double coupler

JRD*****T/1
(Ø400mm/Ø600mm
to
Ø225mm/Ø300mm
T-Junction).
See Table 2.

Ridgidrain Seal

RIDGICHUTE

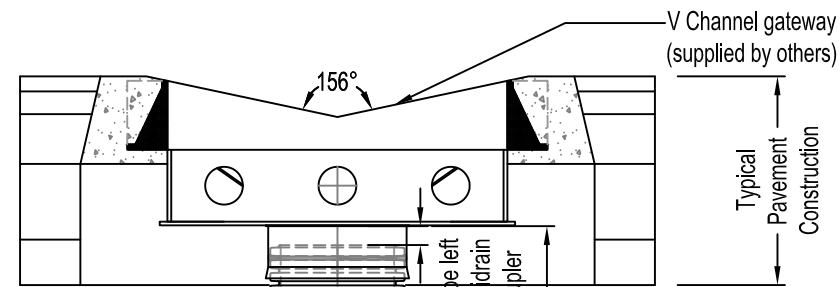


TABLE 1.

	TOLERANCE	
	ONE CORRUGATION	
225	34	mm
300	40	mm

Ø225mm/Ø300mm
double coupler

JRD*****T/1
(Ø400mm/Ø600mm
to
Ø225mm/Ø300mm
T-Junction)
See Table 2.

Maximum 3000

RIDGICHUTE - PAVEMENT MAKE-UP SHOWN

DRAWING NOTES

1. Drawings should not be scaled, refer to figured dimensions only.
2. All dimensions in millimetres, unless otherwise stated.
3. All dimensions are nominal and may vary within manufacturing or construction tolerances.
4. All site temporary and enabling works by others.
5. This drawing is intended for guidance only. Confirmation of the information contained within this document should be sought from the consulting engineers before final design or construction activities commence.

REV	AMENDMENT	DATE
-----	-----------	------

The information in this document is of an illustrative nature and is supplied by Polypipe Civils without charge. This document does not form the whole or any part of a contract or intended contract with the user. The information within this document should not be solely relied upon to determine the suitability or installation requirements of our products for a proposed application and expected site conditions; expert advice should be sought in this respect. Final determination of the suitability of any information or material for the use contemplated and the manner of use is the sole responsibility of the user and the user must assume all risk and liability in connection therewith. Further information with regard to liabilities may be found at www.polypipe.com/disclaimer.



Polypipe Civils
Chamwood Business Park
North Road, Loughborough
Leicestershire, LE11 1LE
Tel: 01509 615100
Fax: 01509 615215
www.polypipe.com/civils

PROJECT NAME	RIDGICHUTE		STATUS FOR INFORMATION	
PROJECT TYPE	900mm x 900mm RIDGICHUTE (MAX INSTALLATION DEPTH)		SHEET SIZE A3	SHEET NO. 2 of 2
			DRAWN BY KT	
			SCALE NTS	DATE 13-08-18
			DRAWING NO. RCH_SD_002	REV. -