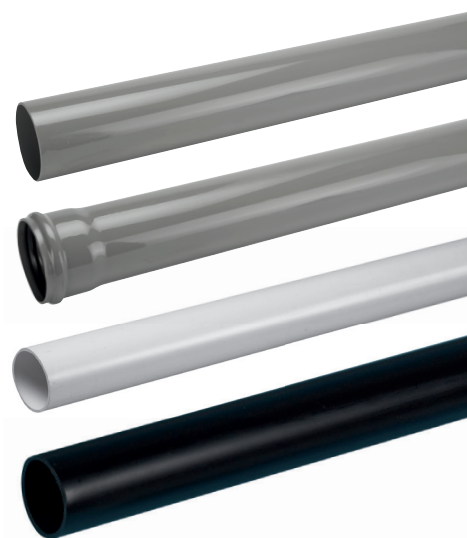


Welcome to our first Technical Bulletin of 2018. This month we have put together a bulletin on the questions which our technical experts are frequently asked.

Should you have any queries that need answering then please contact us on the number found on page 3 of this bulletin.

1. What materials are used in the manufacture?

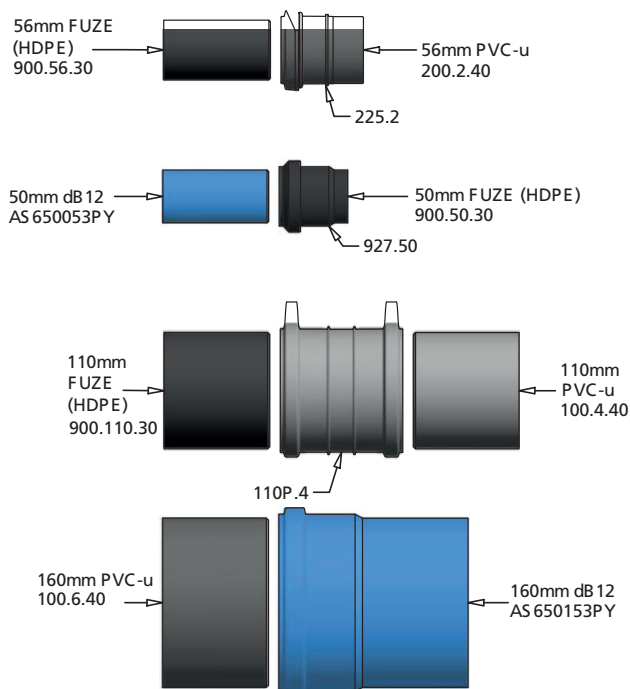
- The 100 and 100P series are manufactured from unplasticised polyvinylchloride, referred to as PVC-U or uPVC
- The 200 series is manufactured from post chlorinated polyvinylchloride, referred to as PVC-C or CPVC
- The 300 series is manufactured from polypropylene, referred to as PP
- The 500 series is manufactured from unplasticised polyvinylchloride, referred to as PVC-U or uPVC
- The 600 series is manufactured from Acrylonitrile butadiene styrene, referred to as ABS
- The 900 (FUZE) series is manufactured from High Density Polyethylene, referred to as HDPE



2. What sizes within your systems are compatible?

For further information please look at our first technical bulletin from 2017 however here is some guidance on our range of pipes which can easily be joined together.

- 50mm PVC, 50mm ABS and 56mm FUZE HDPE are the same outside diameter of 56mm and can easily be connected to one another via a ring seal. PVC and ABS can also be solvent welded together
- 50mm FUZE HDPE and 50mm Acoustic dB12 are the same outside diameter of 50mm and can easily be connected to one another via a ring seal
- 110mm PVC, 110mm FUZE HDPE and 110mm Acoustic dB12 are all the same outside diameter and can easily be connected to one another via a ring seal
- 160mm PVC, 160mm FUZE HDPE and 160mm Acoustic dB12 are all the same outside diameter and can easily be connected to one another via a ring seal





3. What are the working temperatures for your systems?

- Terrain soil and waste systems may be used to convey waste liquids with a maximum temperature of 76°C when subjected to continuous flow. Intermittent discharges of up to 100°C may occur provided they are of less than two-minute duration
- Terrain FUZE HDPE system may be used to convey liquids with a maximum temperature of 80°C when subjected to continuous flow. Intermittent discharges of up to 95 degrees Celsius may occur provided they are of less than two-minute duration



4. What standards are your products manufactured to?

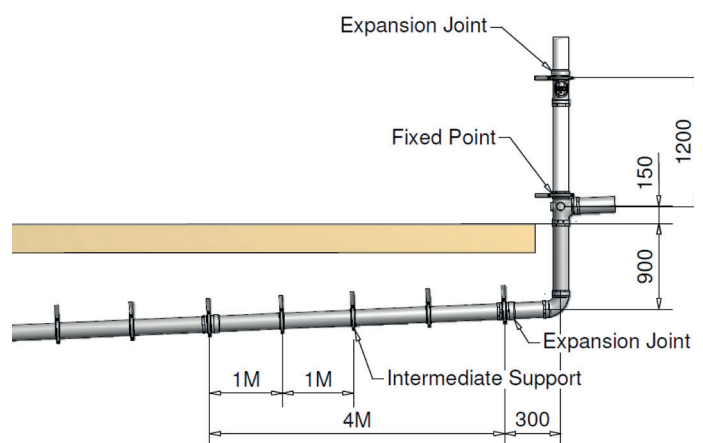
All products manufactured by Polypipe Terrain are done so in accordance to the ISO 9001 quality management system, ISO 14001 Environmental system, OHSAS 18001 Health and safety system and PAS 99 Integrated system. As well as producing to the following product standards:

- BS 5255 Specification for Thermoplastics Waste Pipe and Fittings
- BS 4514 PVC Soil and Ventilation Pipes, Fittings and Accessories
- BS EN 1329 Plastic Piping Systems for Soil and Waste Discharge
- BS EN 1566 Plastic Piping Systems for Soil and Waste Discharge (Chlorinated)
- BS EN 12380 A1 Air Admittance Valve
- BS EN 1519 Plastic piping systems for soil and waste discharge (low and high temperature) within the building structure. Polyethylene (PE) specifications for pipes, fittings and the system

5. What methods are there for controlling thermal expansion?

All Terrain Drainage systems require a form of expansion control some being common to all systems others are system specific:

- Terrain PVC systems need to have suitable expansion sockets allowed for and is performed by the means of a ring seal socket at key locations on the system these key points include:
 - i. Expansion Socket at every floor level above any branch connections for that level
 - ii. On a straight run of pipe (with no bends or junctions) at 4m centres
 - iii. Before every change of direction or junction, where the pipe up to that change in direction is greater than 1m



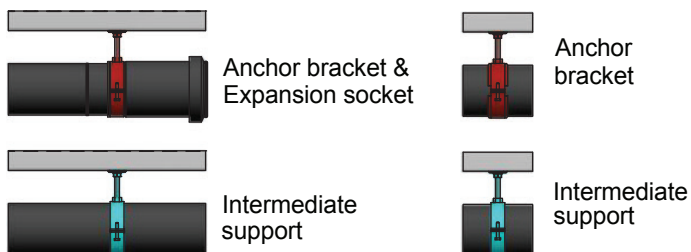
- Terrain FUZE HDPE system needs to have suitable expansion control allowed for, this can be performed as follows:

Ring Seal Expansion Method:

- Expansion Socket at every floor level above any branch connections for that level
- On a straight run of pipe (with no bends or junctions) at 5m centres
- Before every change of direction or junction, where the pipe up to that change in direction is greater than 1m

Locked Method:

- Locked bracket on every floor level above any branch connections or below the slab for that level – a suitable robust fixing method is required to the building structure
 - On a straight run of Horizontal pipe (with no bends or junctions) at 5m centres
 - Before every change of direction or junction, where the pipe up to that change in direction is greater than 1m
- Further details covering all Expansion Control methods above can be obtained from Terrain Technical Services



6. Are your products CE marked?

- Introduction of the Construction Products Regulations
 - On the 1st July 2013, the Construction Products Directive is superseded by the Construction Products Regulations (CPR). This means that construction products placed on the market in the European Economic Area (EEA) and either covered by a harmonised European standard (hEN) or conforming to a European Assessment Document (EAD), a Declaration of Performance has to be drawn up and the products need to be CE marked.
- Situation for plastic piping systems
 - The necessary harmonised European standards are not yet cited in the Official Journal of the European Union
 - This means that it is currently not possible and not legal to apply CE marking to, or issue a Declaration of Performance (DoP) for, plastic piping systems in any of the following applications:
 - Non-pressure soil and waste discharge
 - Underground non-pressure drainage and sewerage
 - Buried and above ground conveyance of liquids under pressure
 - Hot and cold water distribution
 - CE marking is also not allowed for plastic piping for rainwater downpipes and gutters.
- We do however have CE marking on several products including air admittance valves, solvent weld, fire trap sleeves and flexicon adaptors

For further information please visit us at www.polypipe.com/commercial-building-services or call Terrain Technical services **01622 795200**



Contact Us

to find out about our Technical Workshop

Next Technical
Bulletin coming
February